

TCU800-EXT Controller Specifications



Network	16x Ethernet RJ45 10/100/1000M IP/PoE Ports)
USB	10x USB 2.0 Serial Ports to communicate with 3 rd party RS232/RS485 Serial/Modbus
LED's	Power, Status, Alarm
Peripherals	I/O Pins for UART, I2C, SPI, ADC, PWM, CAN, I2S, SPDIF
Expansion	5 Ports SPI0 for add-on boards
Power	18 to 72VDC
Size(LxWxH)	1xRMU (Rack Mount)
Wall Mount	276x225x120mm
Weight	950gm (Gross Weight)
Touch Display	7" LCD/RGB

Optional Features Specifications:

- Fuel Monitoring (with Submersible Sensor)
- Generator Monitoring & Control over IP/Modbus
- DC Power Plant, CRAC, ATS, HVAC Monitoring over IP/Modbus
- Camera for Basic Site Security & Alarms Form 'C' contact
- Tower Light Control
- Xtralis (Fire/Hydrogen) System interface over Modbus/IP
- Block Heater Control
- BTS Status Monitoring over Modbus/IP
- Transmission System Monitoring over



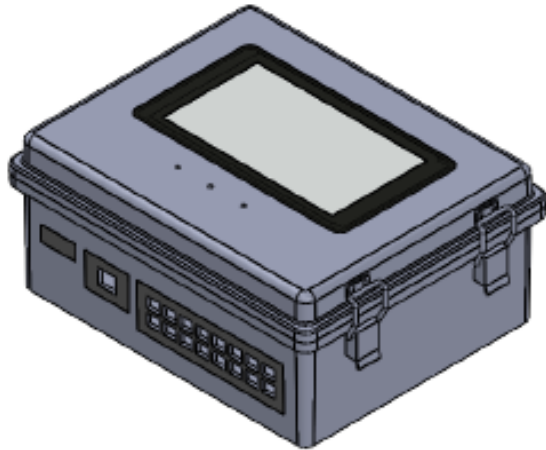
Software Specifications:

- Linux Operating System
- IPv4 and IPv6.
- SNMP version 1, 2.
- SNMP Based Device Management
- Alarms configuration & reporting
- Primary and secondary trap servers for redundancy
- User defined read-only/read-write SNMP community
- Performance summary on graph and over SNMP.
- GUI interface
- Remote software upgrade
- Auto configuration backup over FTP
- Password authentication for user/admin level
- SSH/https/SFTP
- Radius, TACACS, SAML
- Libraries for various 3rd party controllers e.g DC Power Systems, ATS, UPS, CRAC, HVAC, Generators etc...

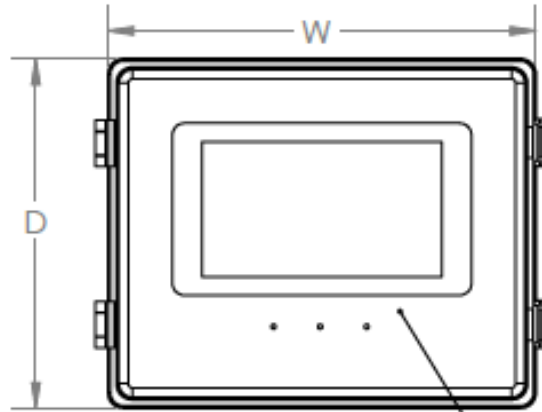
Hardware Specifications:

Micro Controller	MCUC8051 Mixed Signal ASIC
CPU	ARM Cortex-A7™ Quad-core
Memory	1 GB SD RAM
Storage Options	2/8/16/32/256GB/1TB
Analog Input	9 Analog and digital sensors interfaces (Linear, 4-20ma, HART, SPI, I2C, LIN,CAN)
Digital Output	5 Relays
Digital Input	12 GPIO (General Purpose Input/Output) expansions ports +2 Ports for Pulse Counting
Optional	Add-on Digital I/O 8/16 Ports Add-on Relay Board 4/8 Ports Add on Battery Backup for UPS
Sensor Ports:	5xRJ45 for 16x Digital Temp/RH & 4xAirflow analog sensors & expansion for additional

TCU800-EXT Controller Physical Dimensions



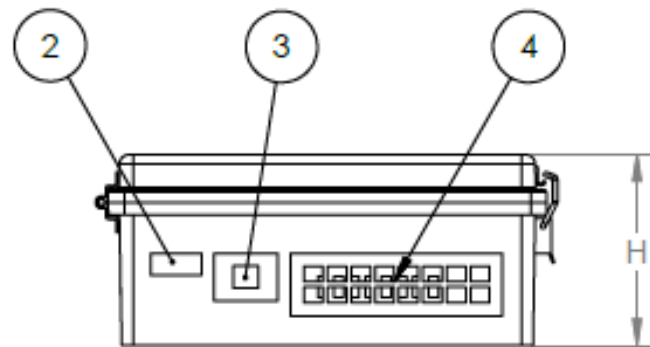
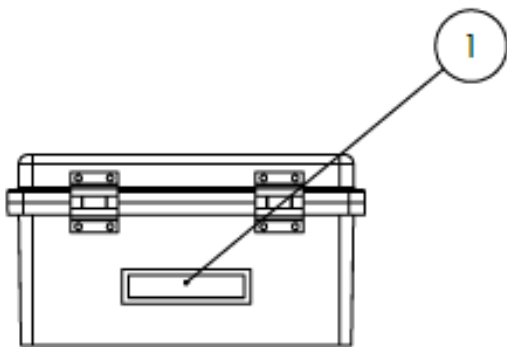
Isometric View



Top View

Reference Notes	
Item	Description
1	General Purpose I/O Ports
2	Input Power
3	IP Port
4	IP/POE Switch interface
5	Touch LCD and LED indicators

IP/POE Switch interface



Front View

Physical Dimensions (mm)	
H	120
W	276
D	225