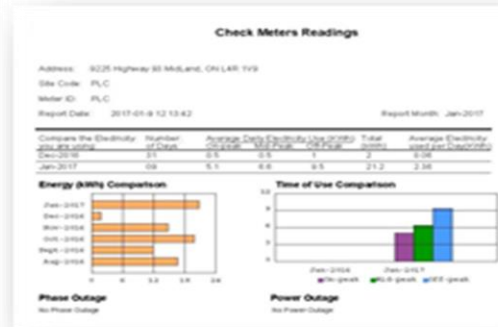


## Hardware Specifications:



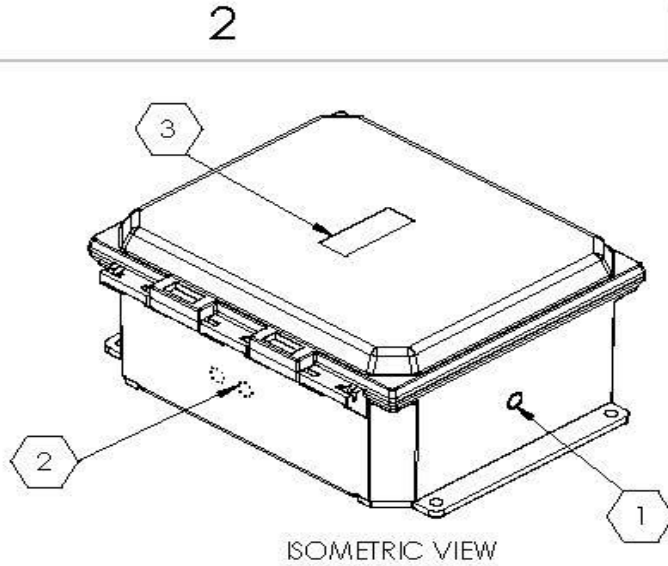
## Software Specifications:



CPU	ARM Cortex-A7™ Quad-core
GPU	ARM Mali-400 GPU
Memory	2GB DDR3 SD RAM
Storage	8G eMMC flash (option 16/32/64G)
Measurement:	Single/3-Phase Energy Monitoring
Network	Ethernet RJ45 10/100/1000M WIFI & Bluetooth 4.0 with 802.11BGN onboard
USB	2xUSB 2.0 RS232/RS485 Modbus
Power	90-240VAC (Optional DC Power)
Peripherals	I/O Pins for UART, I2C, SPI, ADC, PWM, CAN, I2S, SPDIF, LRADC
Box Size(mm)	External: 254 x 203 x 101 (LxWxH)
Weight	2.4 Kg
Touch Display	Optional LCD

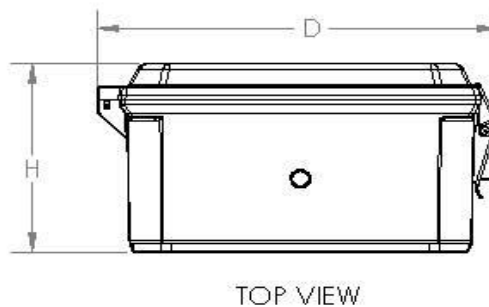
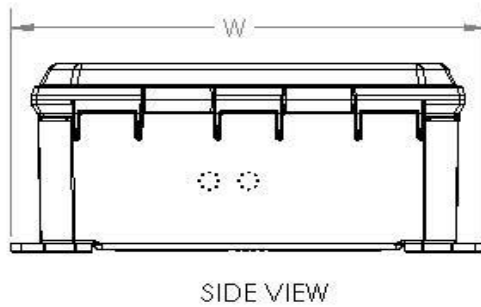
- Built in web based GUI/Dashboard for remote monitoring and reporting
- Real time energy monitoring over Modbus serial/TCP/SSL
- IPv4 and IPv6 & SNMP Based Device Management v1, v2c and v3 supported.
- Primary and secondary trap servers configurations for redundancy.
- Alarms configuration & reporting
- User defined read-only and read-write community for SNMP and web GUI
- Performance parameters summary on graph and over SNMP
- Real time active graphs for user defined intervals

- Real time & historical alarms & data logging, reporting, energy consumption graphs, temperature & humidity (optional)
- Internal RTC and configurable NTP option
- Remote bulk data collection, bulk upgrade over http GUI interface
- Historical reports, CSV log file export for Alarms & parameters up to 3 years
- Optional: Bulk device management with PLC RMP or 3rd Party Network Manager
- Hardware security enables trustzone security system, Digital Rights Management (DRM), information encryption/decryption, secure boot, secure JTAG and secure efuse



REFERENCE NOTES	
ITEM	DESCRIPTION
1	Hole for Cable
2	Holes for PG10; To be drilled on left or right depending on installation site
3	Opening for LCD

PHYSICAL DIMENSIONS (inches)	
H	5.19
W	11.50
D	9.74



PROPRIETARY AND CONFIDENTIAL  
 THE INFORMATION CONTAINED IN THIS DRAWING IS THE SOLE PROPERTY OF PLC Group. ANY REPRODUCTION IN PART OR AS A WHOLE WITHOUT THE WRITTEN PERMISSION OF PLC Group IS PROHIBITED.

SIZE	PRODUCT NAME
<b>A</b>	<b>PCM300</b>
SCALE: 1:4	SHEET 1 OF 1