



The differential pressure sensors designed for high-volume applications. The sensors measure the pressure of air and non-aggressive gases with superb accuracy and no offset drift. The sensors cover a pressure range of up to ± 500 Pa (± 2 inch H₂O / ± 5 mbar) and deliver outstanding accuracy, also at the lower end of the measuring range.

The sensor features an analog ratiometric voltage output, which is configurable to linear or square root by a separate pin.

The outstanding performance of these sensors is based on the patented CMOSens® sensor technology, which combines the sensor element, signal processing, digital calibration and analog output on a small CMOS chip.



Sensor Specifications:

Accuracy: 0.1 Pa

Flow/pressure range: -12.5 to +125 Pa

Total error band as low as ± 3 %FSS

Output analog: Ratiometric analog voltage

Power consumption: 5.0 Vdc: 3.8 mA typ.

Offset stability: 0.05 Pa/year

Shift due to temperature variation: 0.5% per 10 degree Centigrade

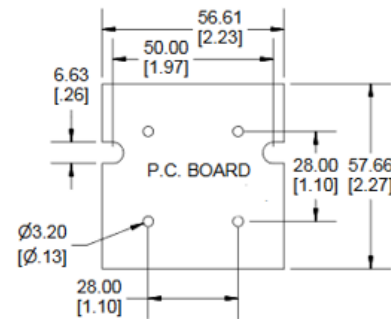
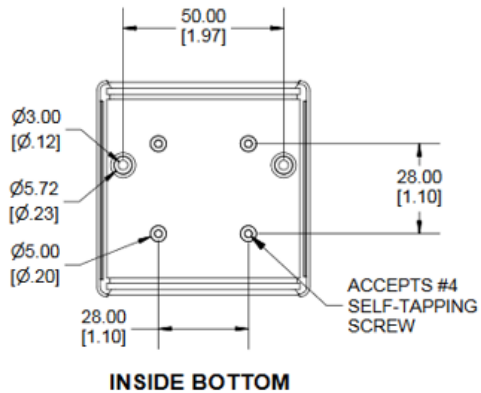
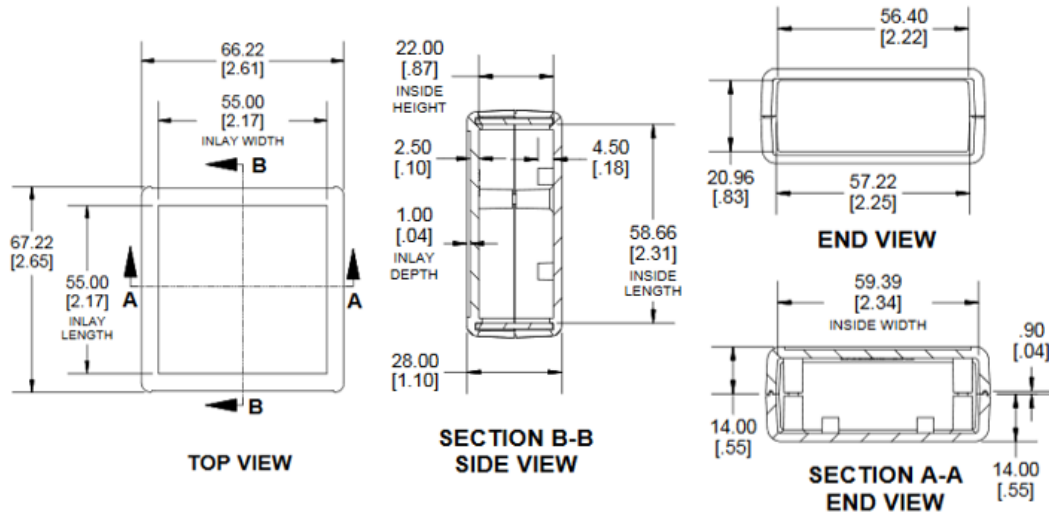
Allowable overpressure: 1 bar

Weight: 60grams with 1m cable

Media capability: non-corrosive dry gases

Power-up time: 25 ms

Operating temperature range: -40 °C to 85 °C [-40 °F to 185 °F]



PROPRIETARY AND CONFIDENTIAL

THE INFORMATION CONTAINED IN THIS DRAWING IS THE SOLE PROPERTY OF PLCGROUP. ANY REPRODUCTION IN PART OR AS A WHOLE WITHOUT WRITTEN PERMISSION OF PLCGROUP IS PROHIBITED.

PRODUCT NAME
AIRFLOW SENSOR

SHEET 1 OF 1

